

**DESCRIPTION:**

AMC MODEL SWN-1140-4DT-STANDARD OPT. 311, B08-LVTCOM IS A SINGLE POLE FOUR THROW, NON-REFLECTIVE/ABSORPTIVE ULTRA BROAD BAND SOLID STATE SWITCH MODULE WITH HIGH ISOLATION, LOW LOSS, LOW VIDEO TRANSIENTS AND INTEGRAL TTL DRIVER DESIGNED FOR 3 TO 11GHz

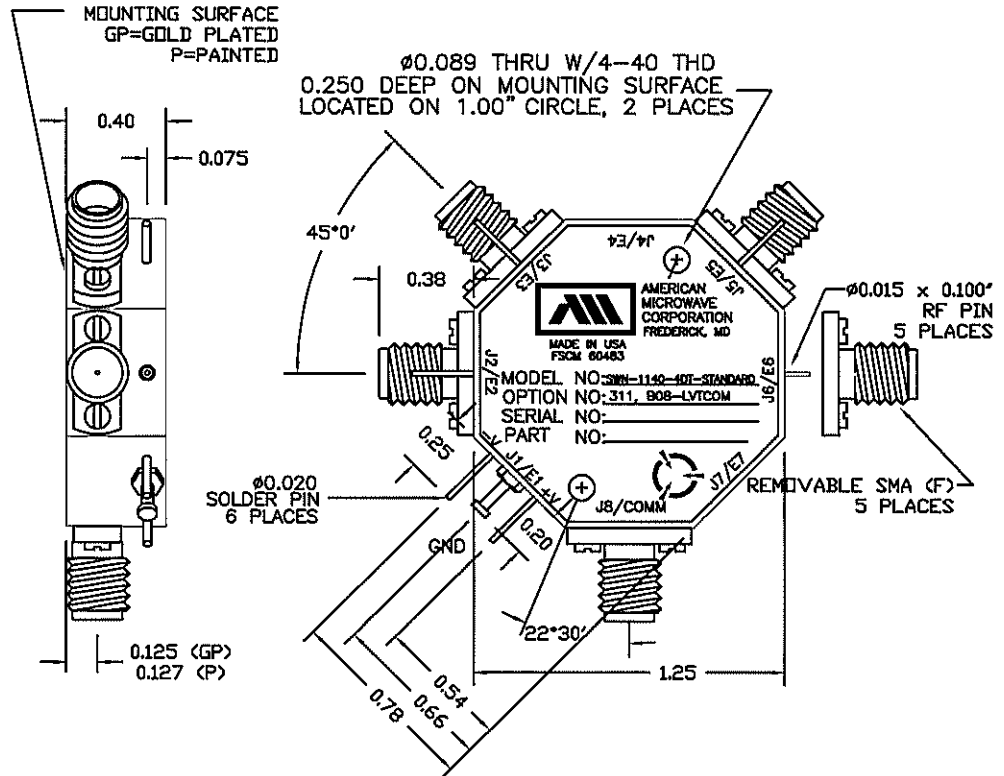
**SPECIFICATIONS:**

- FREQUENCY: . . . . . 3 TO 11GHz
- INSERTION LOSS: . . . . . 3.75dB MAX.
- ISOLATION: . . . . . 3 TO 11 GHz: 70db
- VSWR: . . . . . 2.0:1 MAX
- SPEED: . . . . . RISE: 10ns TYPICAL, 15ns MAX.  
FALL: 10ns TYPICAL, 15ns MAX.  
DELAY ON: 75ns TYPICAL, 100ns MAX.  
DELAY OFF: 75ns TYPICAL, 100ns MAX.
- POWER INPUT: . . . . . (CW)+20dBm (STANDARD), +10 dBm (HIGH SPEED)
- SURVIVAL POWER: . . . . . 1 WATT CW, 10 WATTS PEAK 1 usec
- CONTROL: . . . . . TTL LOGIC "0"=ON "1"=OFF
- POWER SUPPLY: . . . . . +5V @ 200 mA MAX.  
-5V @ 100mA MAX.

**OPTIONS:**

- OPTION 311 . . . . . 3 TO 11GHz FREQUENCY RANGE
- OPTION B08-LVTCOM . . . . . ULTRA LOW VIDEO TRANSIENTS IN COMMON PORT

REVISIONS				
ZONE	REV.	DESCRIPTION	DATE	APPROVED
-	-	ORIGINAL RELEASE - JOB# 802026PE	2/28/08	LC



ALL DIMENSIONS ARE IN INCHES  
TOLERANCES:  
X.XX ±0.020  
X.XXX ±0.010

CONTRACT NO.		AMERICAN MICROWAVE CORPORATION FREDERICK, MARYLAND	
APPROVALS	DATE	TITLE	
DRAWN <i>KMP</i>	2/28/08	PRODUCT FEATURE	
CHECKED <i>LC</i>	2/28/08	SWN-1140-4DT-STANDARD OPTION 311, B08-LVTCOM	
ISSUED		REFLECTIVE OR NON-REFLECTIVE/ABSORPTIVE	
		SIZE FROM NO.	DWG NO.
		A 60483	100-4163-7
		SCALE N/S	SHEET 1 of 1

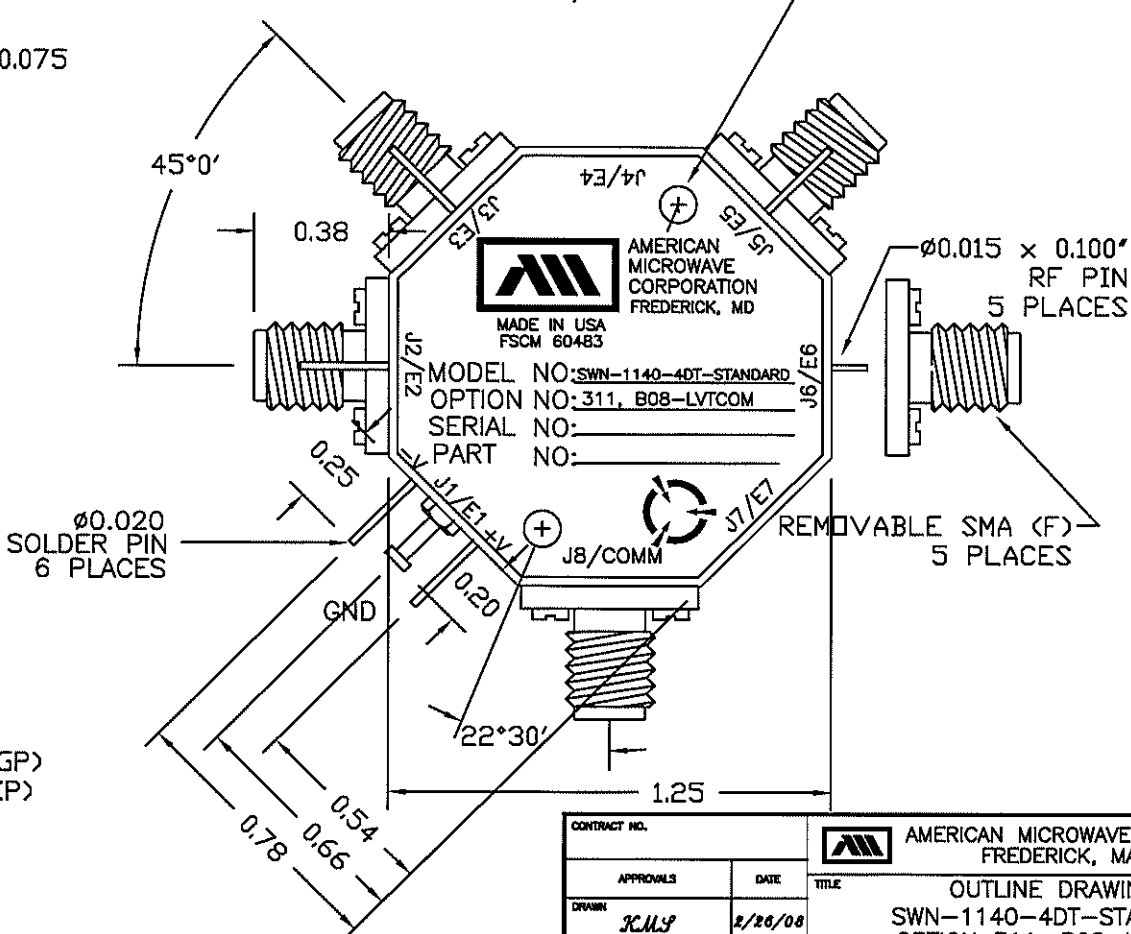
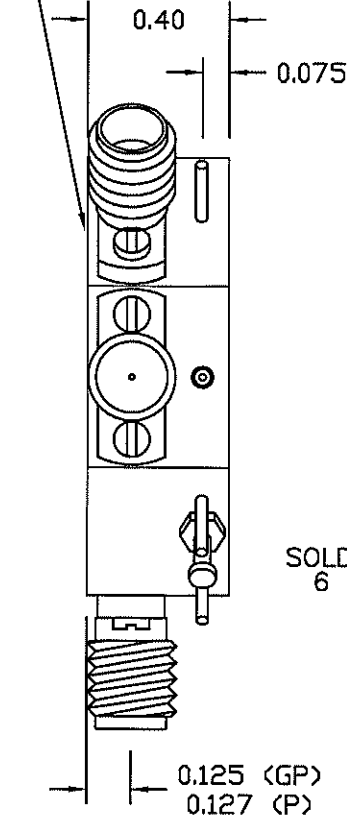
**DESCRIPTION:**

AMC MODEL SWN-1140-4DT-STANDARD OPT. 311, B08-LVTCOM IS A SINGLE POLE FOUR THROW, NON-REFLECTIVE/ABSORPTIVE ULTRA BROAD BAND SOLID STATE SWITCH MODULE WITH HIGH ISOLATION, LOW LOSS, LOW VIDEO TRANSIENTS AND INTEGRAL TTL DRIVER DESIGNED FOR 3 TO 11GHz

REVISIONS				
ZONE	REV.	DESCRIPTION	DATE	APPROVED
	-	ORIGINAL RELEASE - JOB# 802026PE	2/26/08	LC

MOUNTING SURFACE  
GP=GOLD PLATED  
P=PAINTED

Ø0.089 THRU W/4-40 THD  
0.250 DEEP ON MOUNTING SURFACE  
LOCATED ON 1.00" CIRCLE, 2 PLACES



MODEL NO: SWN-1140-4DT-STANDARD  
OPTION NO: 311, B08-LVTCOM  
SERIAL NO:  
PART NO:

CONTRACT NO.		AMERICAN MICROWAVE CORPORATION FREDERICK, MARYLAND	
APPROVALS	DATE	TITLE	
DRAWN: JCM/S	2/26/08	OUTLINE DRAWING	
CHECKED: LC	2/28/08	SWN-1140-4DT-STANDARD OPTION 311, B08-LVTCOM	
ISSUED		REFLECTIVE OR NON-REFLECTIVE/ABSORPTIVE	
		SIZE: A	FWM NO. 100-4163-7
		DWG NO.	REV. -
SCALE N/S		SHEET 2 OF 3	